



# VORT PHON RANGE

GUN-TYPE HAIR DRYERS

NEW

Gun-type wall-mounted hair dryers, with power of 1,200 W and 1,600 W, suitable for use in hotel bathrooms, guest houses, ship's cabins, private homes, etc. Portable gun-type hair dryer (model P) with Shuko plug, 2,000 W of power.

- 3 models



**VORTPHON 1200** code 70926  
(power: 1,200 W)



**VORTPHON 2000 P** code 70928  
(power: 2,000 W)



**VORTPHON 1600** code 70927  
(power: 1,600 W)

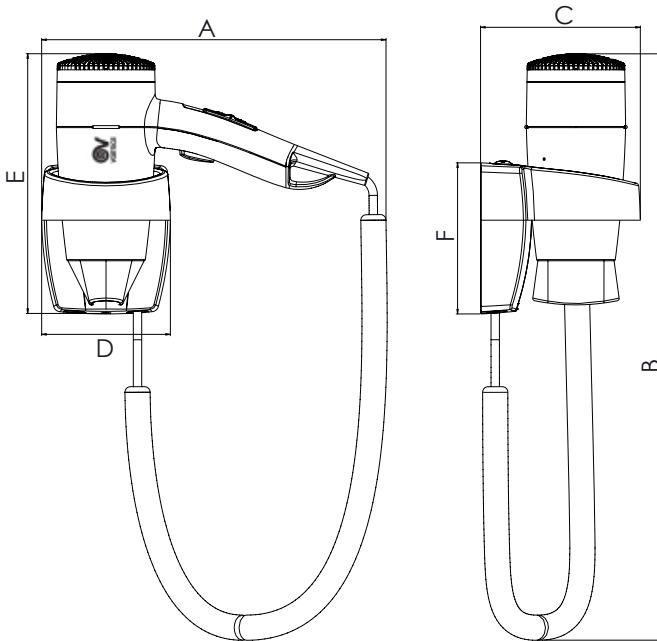
### BENEFITS FOR THE INSTALLER

- Easy installation for models with wall holder.
- Reliability, quality and safety.
- Easy maintenance.

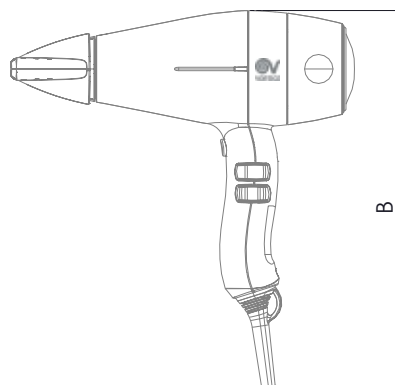
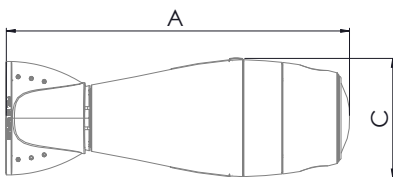
### BENEFITS FOR THE USER

- Reliability, quality and safety.
- Low maintenance costs.
- Intensive use.
- Design that can be integrated in any environment thanks to its small size.
- Hair dryer always at hand.
- Wire length of 120-160 cm for wall models, 60-120 cm for gun-type model.

### DIMENSIONS



PRODUCTS	A	B	C	D	E	F
VORTPHON 1200	245	240	115	92	183	108
VORTPHON 1600	245	240	115	92	183	108



PRODUCT	A	B	C
VORTPHON 2000 P	219	271	87

Dimensions (mm)



# VORT PHON RANGE

GUN-TYPE HAIR DRYERS



On/off button to prevent unattended operation of the product.

On/off safety switch integrated in the holder, to switch off the appliance when required.



## TECHNICAL DATA

PRODUCTS	CODES	V~50/60HZ	W TOTAL	AIR TEMPERATURE	A MAX	MAX AIRFLOW m <sup>3</sup> /h	LW dB(A)	KG
VORTPHON 1200	70926	220-240	1200	83.5	5.1	81	70	0.7
VORTPHON 1600	70927	-	1600	80	6.9	81	70	0.7
VORTPHON 2000 P	70928	-	1900	90.1	7.9	66	70	0.7



## TECHNICAL FEATURES

- **3 models, different in installation** (wall and portable gun-type), and **in nominal power**, 1,200 W, 1,600 W and 2,000 W.
- **Enclosures in shock proof plastic resin (ABS).**
- **Wave electrical resistance**, that differs from the traditional spiral one adopted on cheaper products due to its great stability and **better temperature control**, to guarantee greater durability.

The integrated safety devices also ensure **high safety standards**.

- **Gun-type wall mounted models: VORTPHON 1200 - VORTPHON 1600**
  - High-quality direct current **motors**, characterized by small size and weight, suitable for use in compact hair dryers and capable of ensuring an **average duration of 800 hours**.
  - **Gun casing** and wall holder in **white color**, RAL 9010.
  - **On/off safety switch** integrated in the holder, to switch off the appliance when required.
  - **On/off button** to prevent unattended operation of the product.
  - **Thermostat** with automatic reset to **avoid overheating**.
  - **Setting button** for the model **VORTPHON 1600** to select the preferred mode of use from the available options: 2 levels of airflow plus 3 temperature levels of the flow: 25 °C, 60 °C, 80 °C.
  - **COOL function** for the model **VORTPHON 1600** to generate a warm air jet.
- **Portable gun-type model: VORTPHON 2000 P**
  - High-quality collector **motor**, specifically designed for **professional hair dryers**.  
It also operates fans capable of delivering high airflow rates and large pressures and ensures an **average duration of 2,000 hours**.
  - A motor-fan unit that is optimized to produce a **strong airflow** with proportionately low noise emissions.
  - **6 alternative combinations** of **rate** and temperature of the **airflow**.
  - Gun casing in **black color**, RAL 9005.
  - **Safety thermal fuse** to protect against accidental overheating.
  - **Safety on/off button**.
  - **Thermostat** with automatic reset to **avoid overheating**.
  - Air outlet.
  - Cable with Shuko plug.